



Voltage Regulator - Commissioning

Is the unit earth grounded well ?
 Are the line connections correct & tight ?
 Is the oil level OK ?
 If out of service for a while, has the regulator been electrically tested ?
 Is the PT tap set correctly ?
 Is the regulator at Neutral ?
 Is the control system OFF ?



Grounding

From source - "S" "L" - To Load

"SL" - to power return wire.

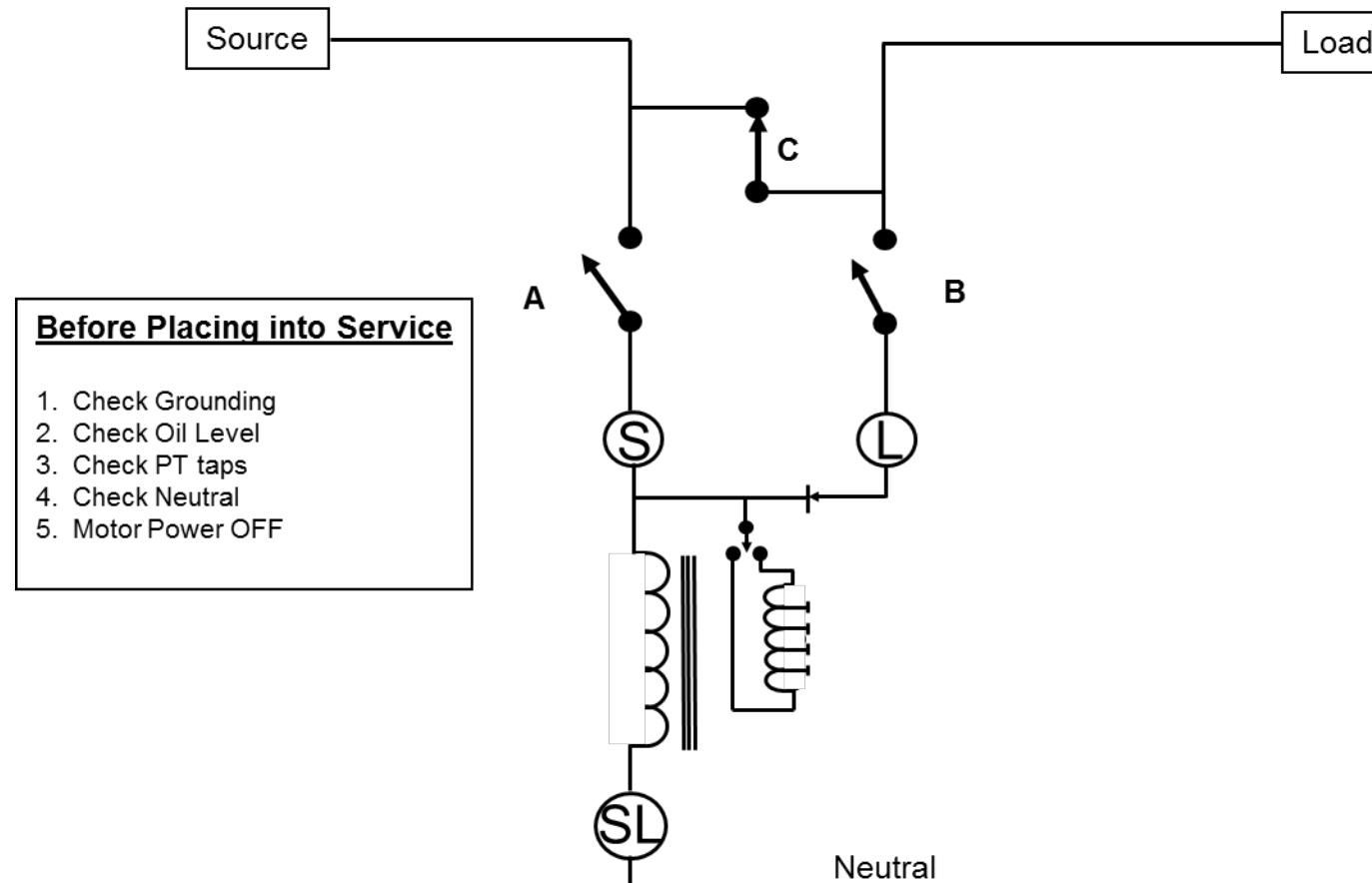


INSPECTION

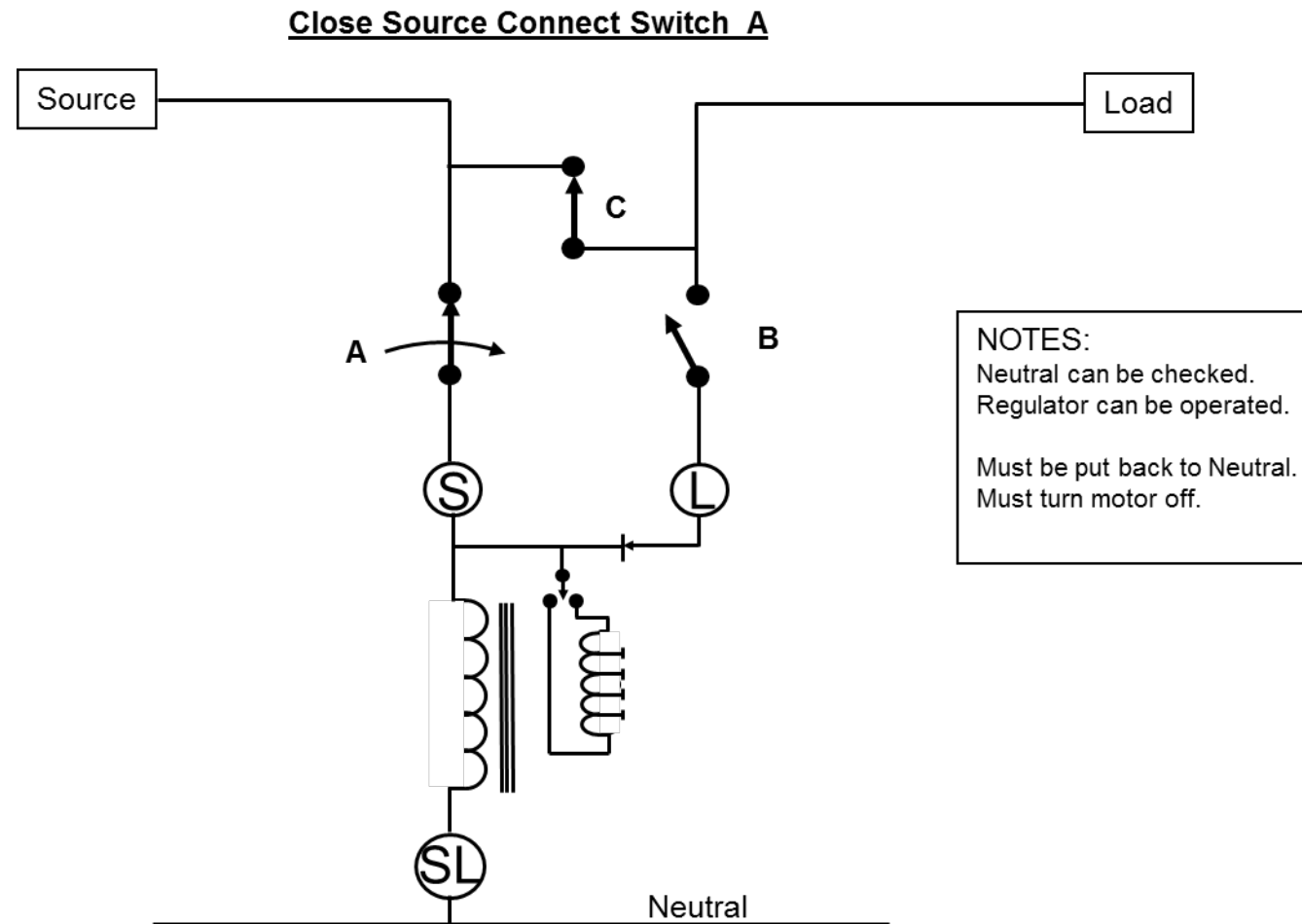
1. Oil level
2. Potential Tap
3. Neutral position Indicator Control Through Hand-Hole
4. Grounding
5. Line connections
6. External Inspection
7. Control Off
8. Hipot
9. Megger

Placing a regulator into service --- Step 1

Check Regulator Status

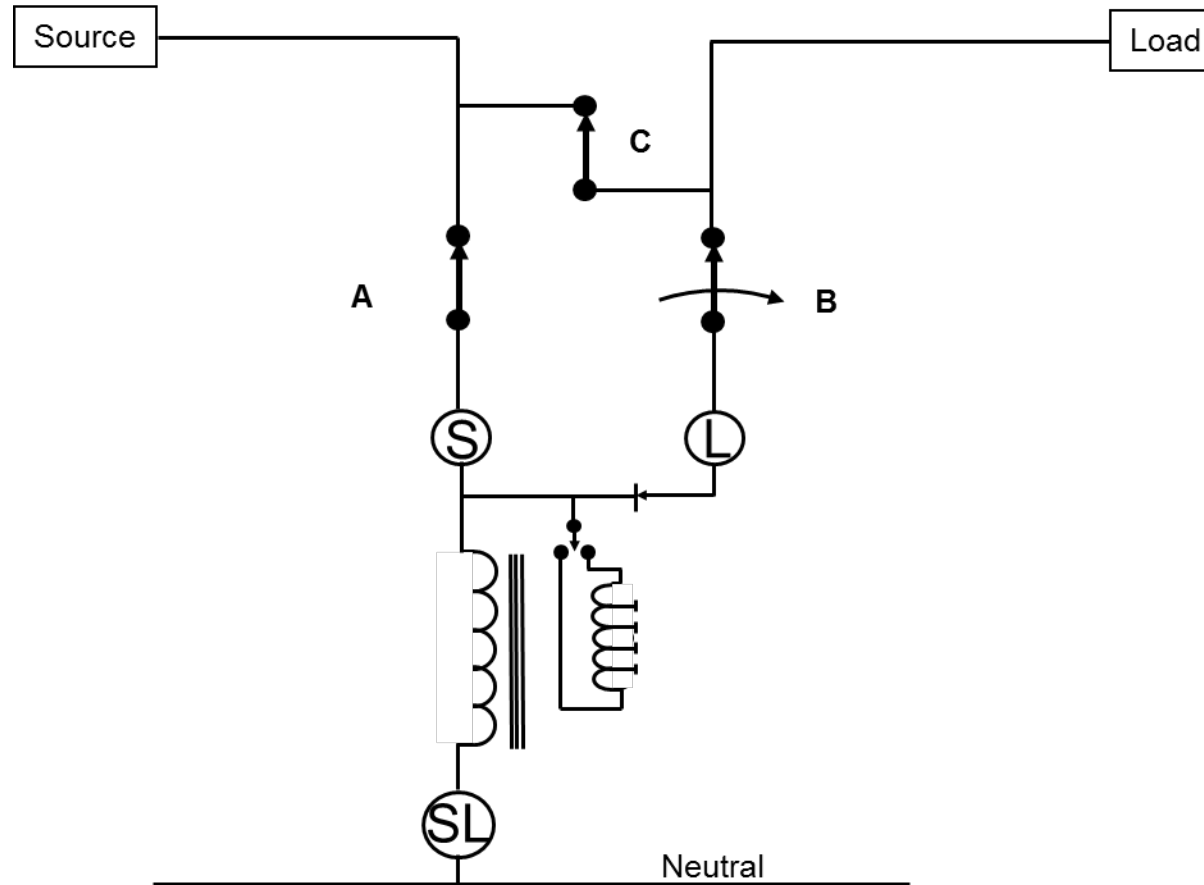


Placing a regulator into service --- Step 2

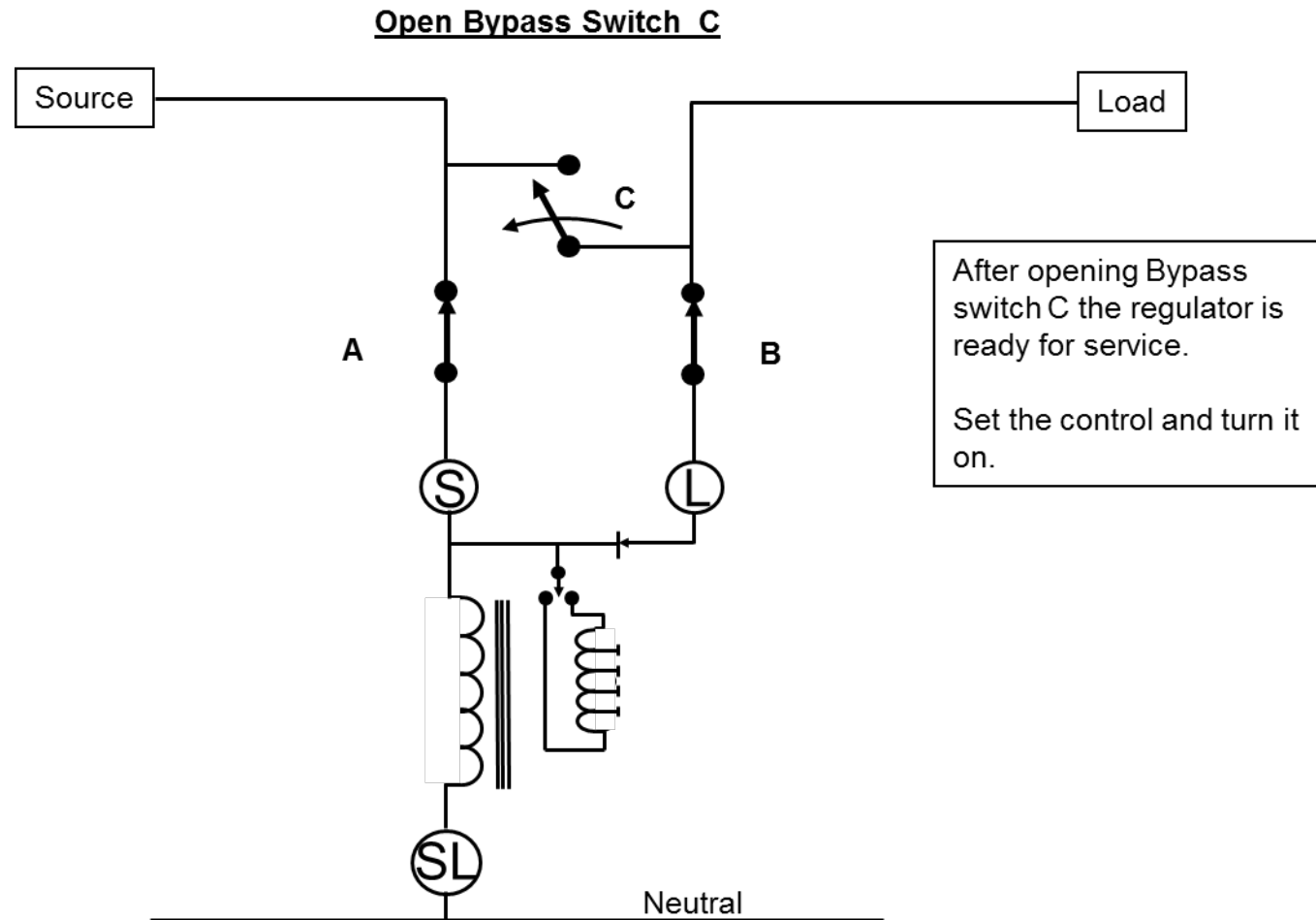


Placing a regulator into service --- Step 3

Close Load Connect Switch B



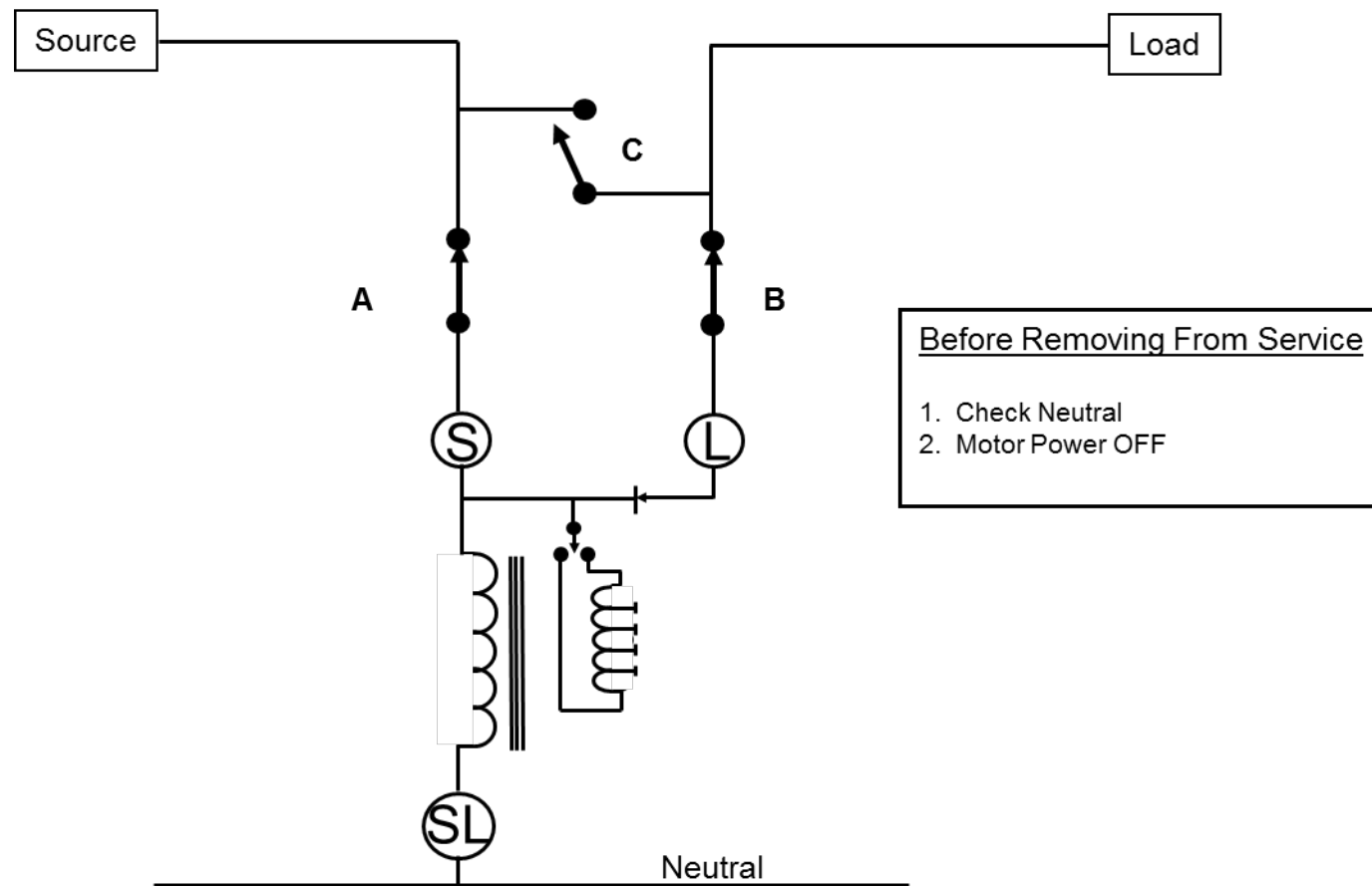
Placing a regulator into service -- Step 4



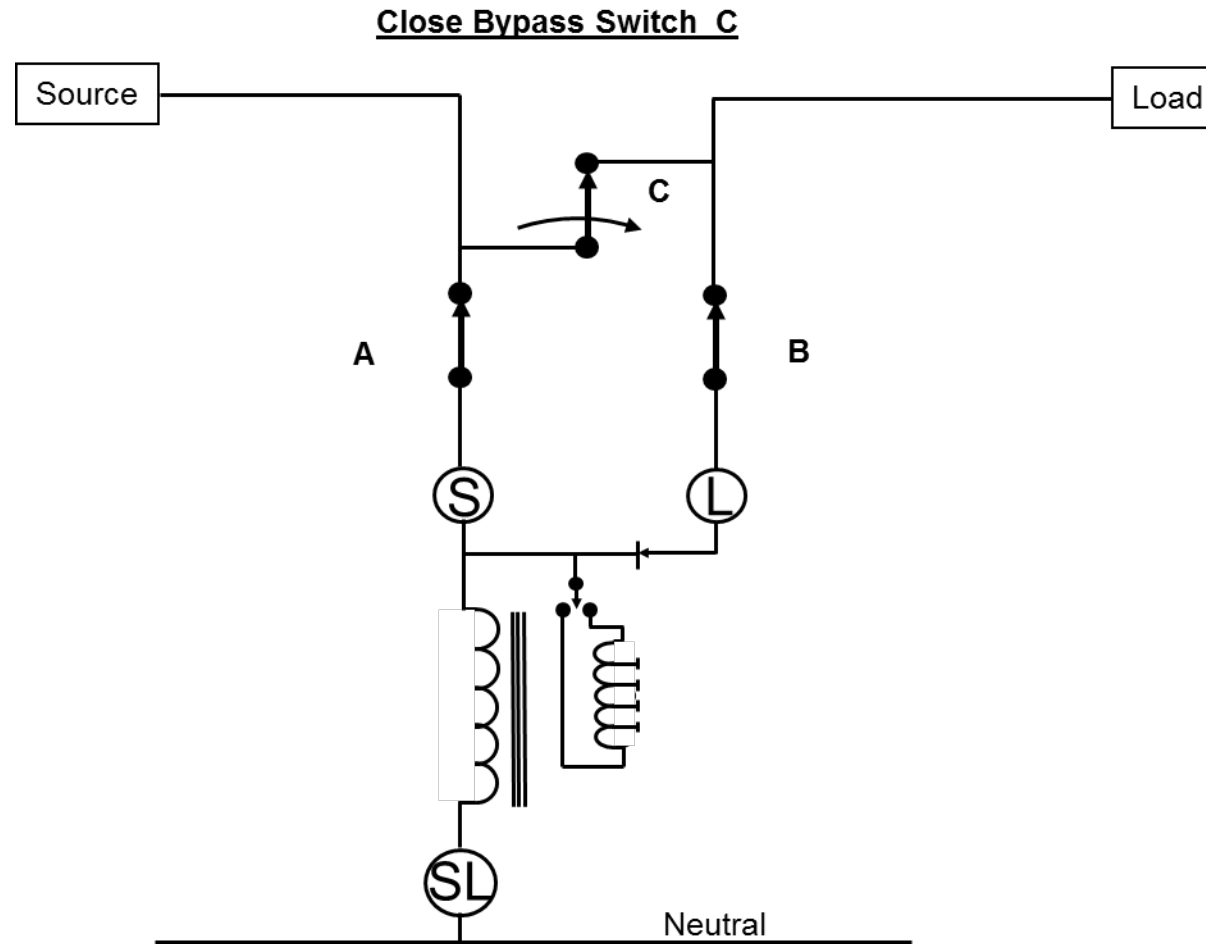
Step 1

Removing a regulator from service -- Step 1

Place regulator on Neutral

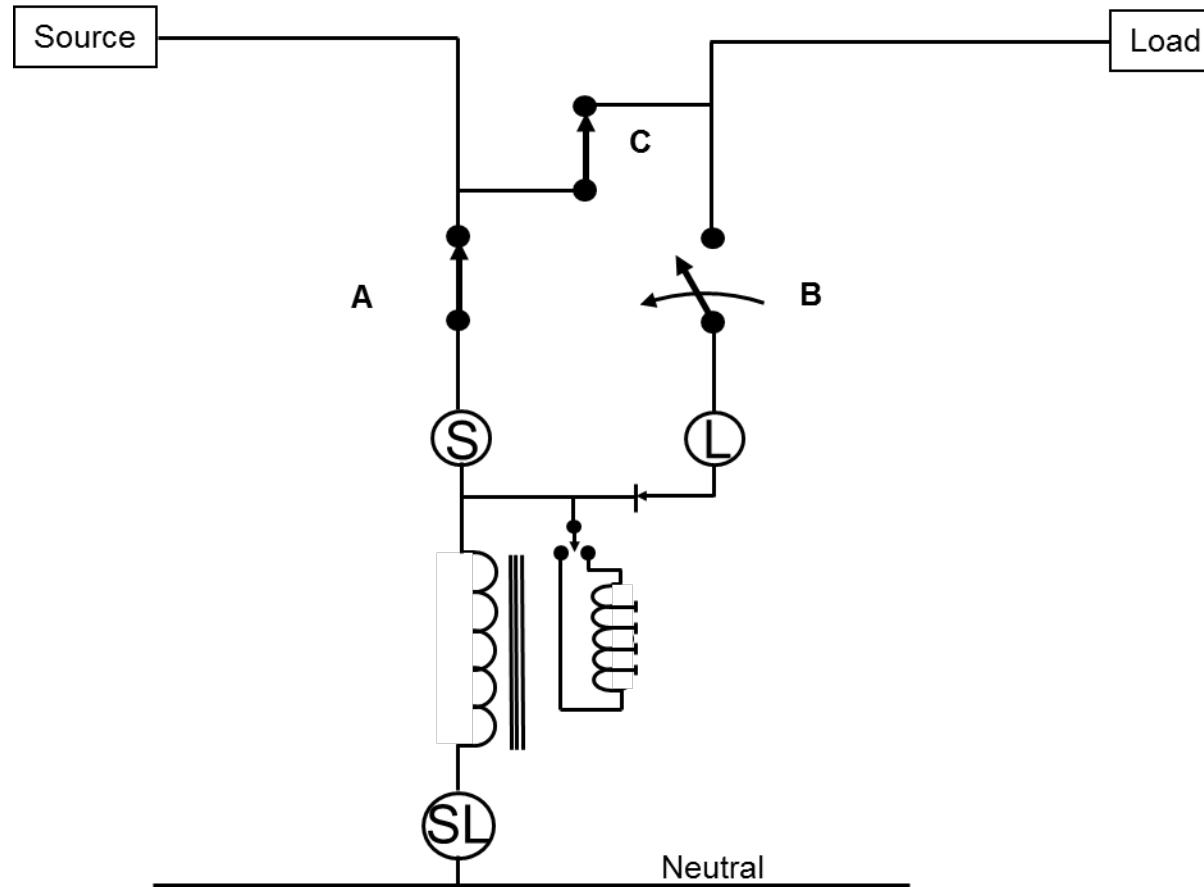


Removing a regulator from service -- Step 2



Removing a regulator from service -- Step 3

Open Load Connect Switch B



Removing a regulator from service -- Step 4

